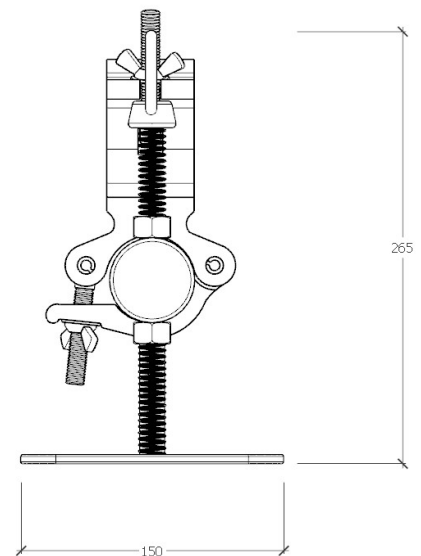
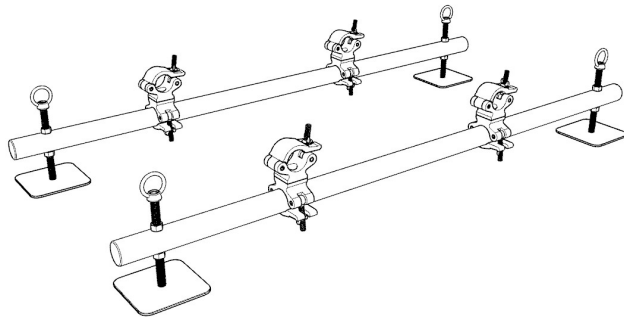
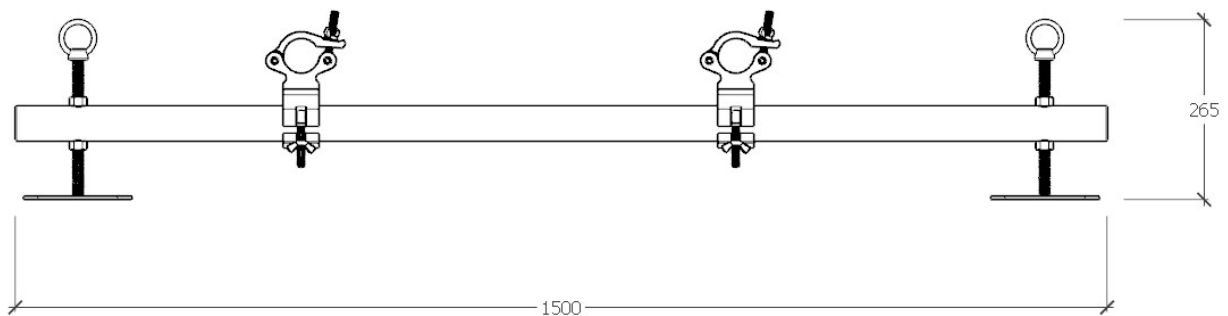
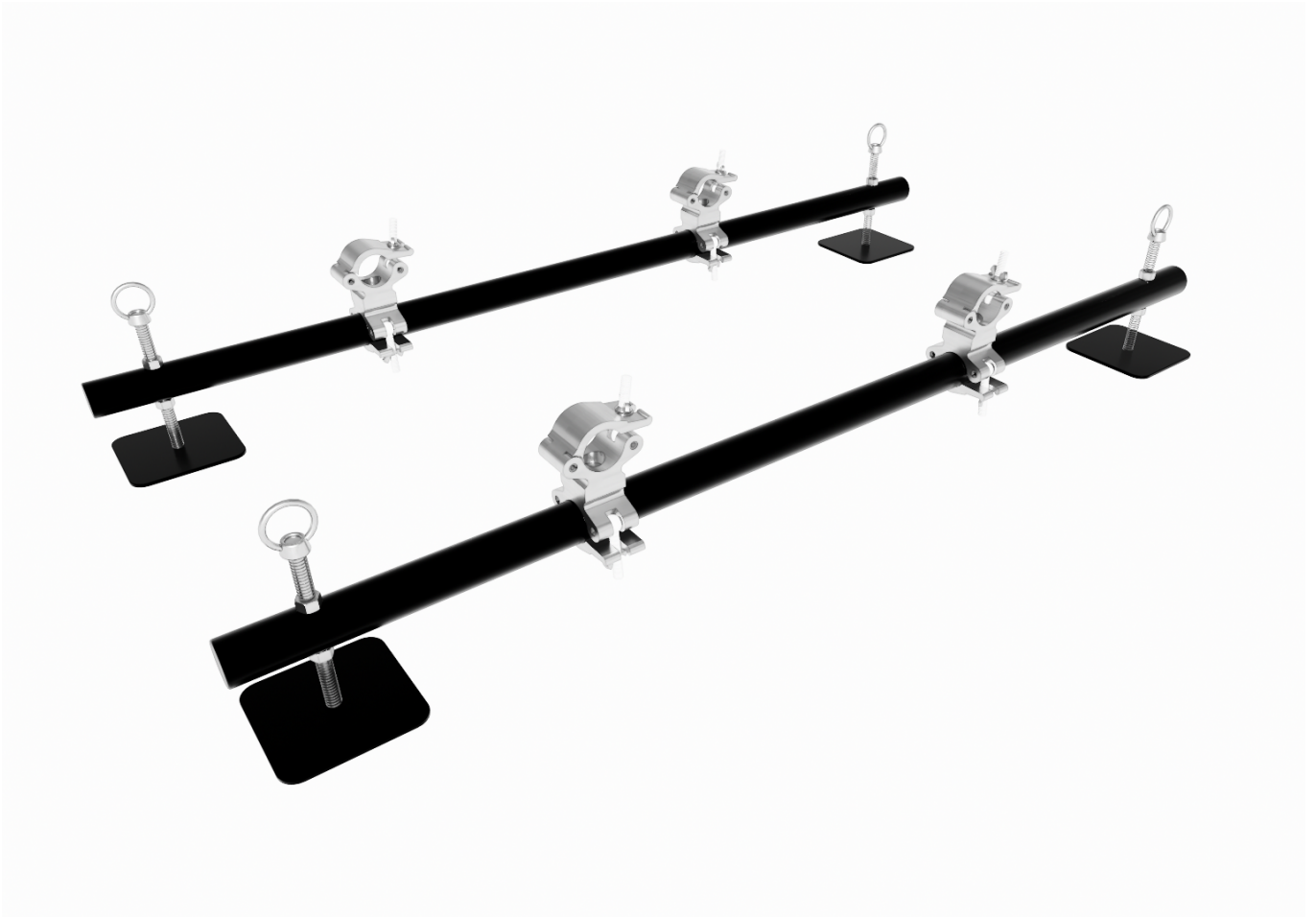


STAB 01 - Coupler SET for dolly stabilizing - B2B DOCUMENT

STAB 01 consists of two stabilizers for our structures. It is attached using two TUV-certified 300kg swivel couplers and is necessary for anti-tilting.

- (W) 1500 x (H) 265 x (P) 15





RESOURCES FOR DRAWINGS

- Vectorworks Symbol
- DWG
- Sketchup
- C4D